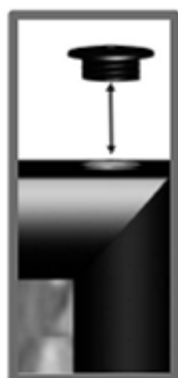
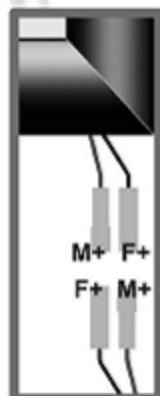


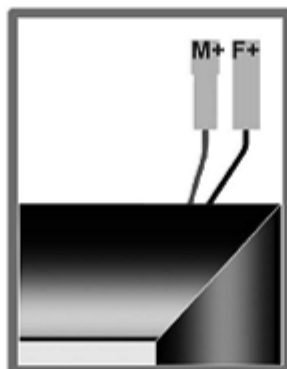
REVERSIBLE DOOR INSTRUCTIONS

REVERSE THE DOOR OPENING

- 1) Unplug the cooler from the main power supply or turn off the switch located behind the front grill.
- 2) Remove the screws to unfasten the front grill.
- 3) Disconnect the two lighting wires (red and black) on the bottom of the door near the hinge.
- 4) Use standard electrical tape to insulate the terminals together and insert them inside the door frame in the hole.



- 5) Remove the plastic cap located on top of the door, near the hinge and place it on the bottom hole with the wires inside as previously described in step 3.



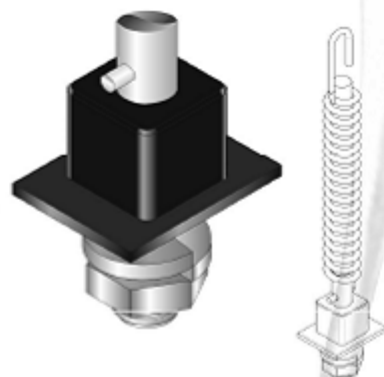
- 6) Bring out the two taped wires (red and black) placed inside the top door frame.
- 7) Take out the top hinge cover.
- 8) Remove both hinges by unfasten the screws.



- 9) Screw the bottom hinge in its new position on the other side.

- 10) Remove the self closing system (right) and the top plastic bushing as shown in the sketch.

- 11) Install the new self closing system (left), provided as an accessory inside the cooler, in position and insert the removed plastic bushing in the other side.



- 12) Turn the door 180° and insert the threaded pin in the bottom hinge.

- 13) Install the top hinge with screws and the plastic cover.

- 14) Adjust self closing system as described in this manual.

- 15) Remove the plastic cover from the front grill and change it to the other side. Drill a hole with a 9/64" bit in order to place in position the front grill cover.

- 16) Get rid of the insulation tape and connect the wires in the bottom of the door to the wires that they were previously disconnected from.

- 17) Plug in the cooler to the main power supply to verify that the lighting is working properly.

- 18) Put the front grill back in its place.

