



## CONTENT

1. General assembly
2. Evaporator Unit
3. Condenser Unit
4. Door assembly
5. Wiring Diagrams

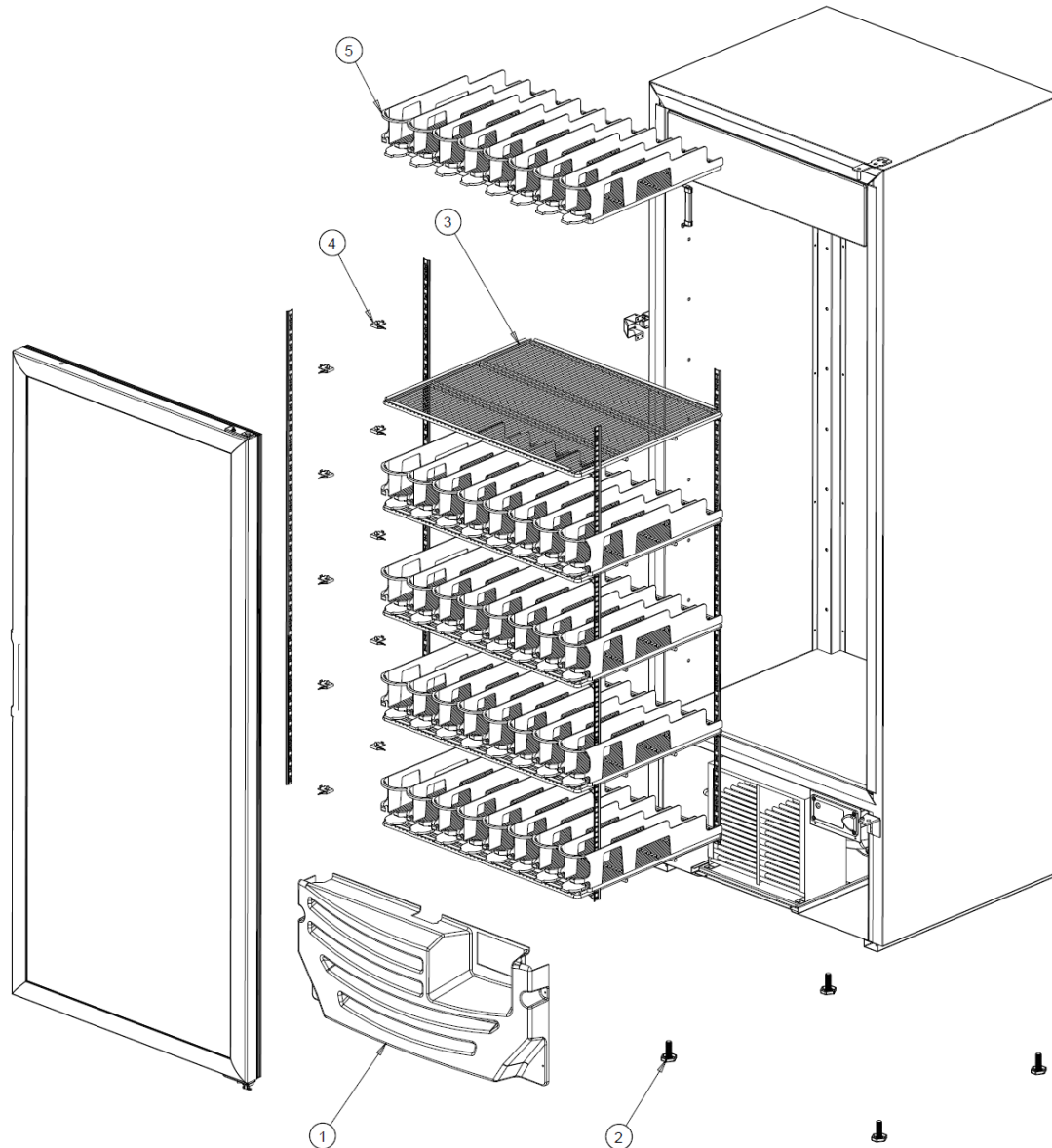
## INCLUDED MODELS

<b><i>Imbera SAP Part Number</i></b>	<b><i>Description</i></b>
1010170	ENF G319 C BMAD UL EMS LED EXP V10 CCE

## NOTES

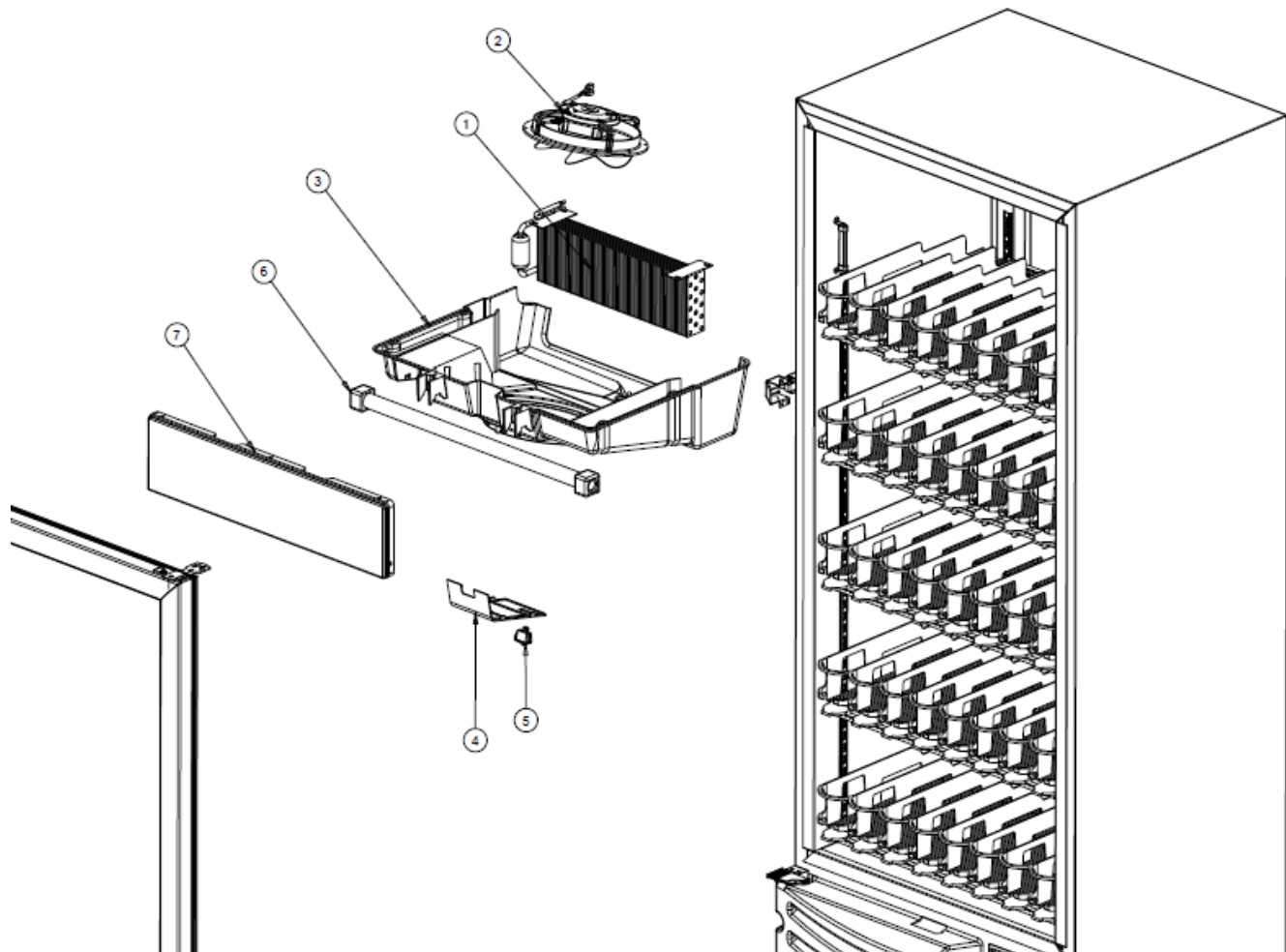
- Drawings are an approximate representation of the reality.

## 1. General assembly



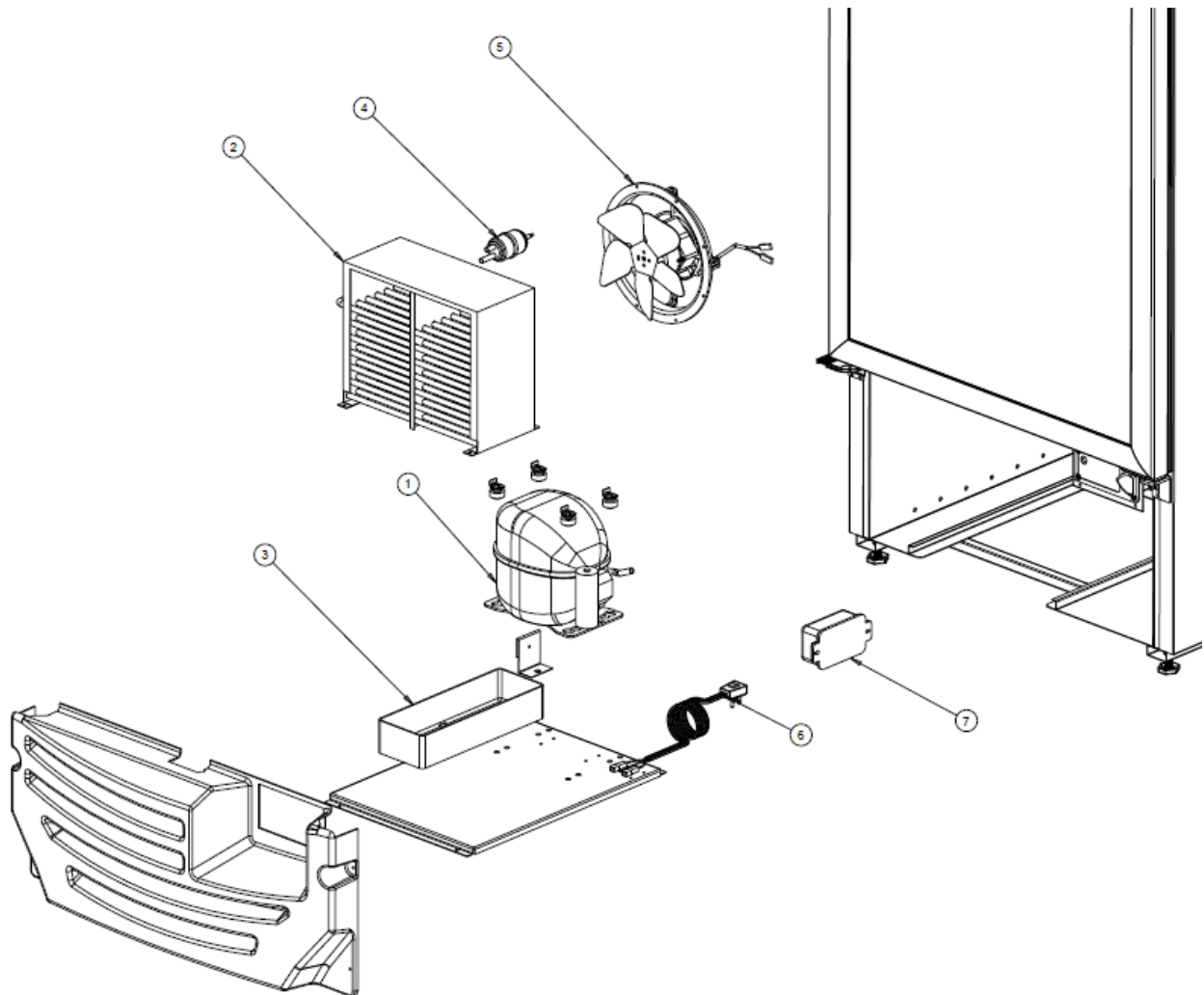
<b>Item</b>	<b>Mgf. Part #</b>	<b>Description</b>
1	2020153	COVER LOUVERED G313*19*42
2	2016557	LEVELING FEET
3	2022624	SHELF G313*16*19 PREMIUM
4	2016555	CLIP PILASTER SHELF
5	2022619	KIT VISISLIDE LOW 488 8 F G319 UL V10

## 2. Evaporator Unit



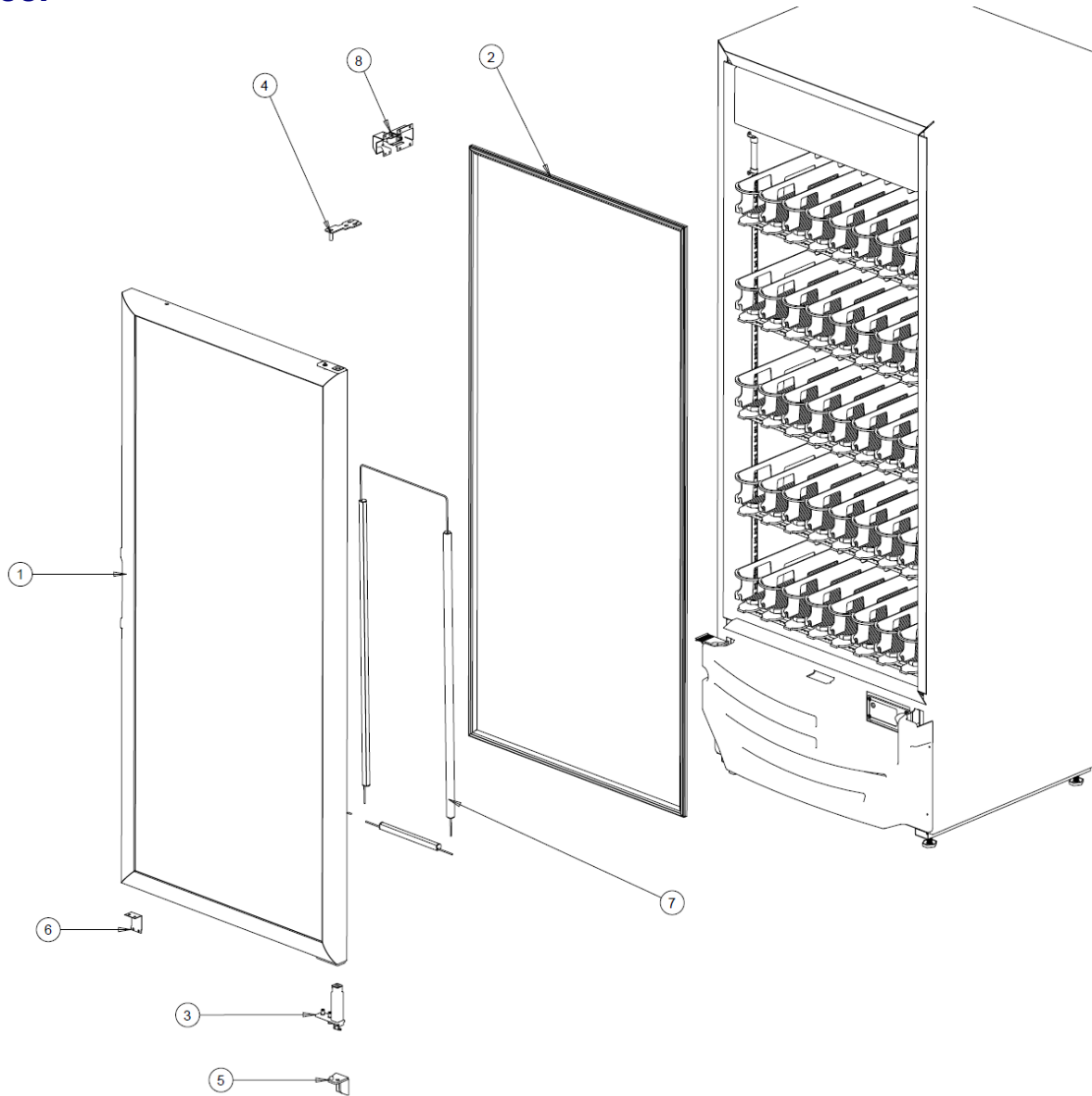
Item	Mgf. Part #	Description
1	2022631	EVAPORATOR COIL G319 V10
2	2022630	EVAPORATOR*CONDENSER FAN MOTOR G319 V10
3	2016772	EVAPORATOR HOUSING G313*19
4	2016586	EVAPORATOR HOUSING COVER G313*19
5	2016558	SWITCH ROCKER BLACK
6	2016567	HEADER LED LAMP G313*19*42
7	2022623	DISPLAY FNT G313*16*19 V10 COKE
8	2022621	CAP TUBE G319 UL V10

## 3. Condenser Unit



<i>Item</i>	<i>Mgf. Part #</i>	<i>Description</i>
1	2017310	COMPRESSOR G319
2	2022629	CONDENSER COIL G319 UL V10
3	2017314	CONDENSATE WATER PAN PLASTIC G342
4	2016582	FILTER DRIER VAL22TDV
5	2022630	EVAPORATOR*CONDENSER FAN MOTOR G319 V10
6	2016559	POWERCORD 15 AMP 10 FT
7	2016584	LED DRIVER 120V AC 10.5 V DC

## 4. Door



<b>Item</b>	<b>Mgf. Part #</b>	<b>Description</b>
1	2022627	DOOR W/LED G319 UL V10
2	2022626	DOOR GASKET G319 UL V10
3	2022628	SELF CLOSING G319 UL V10
4	2016574	VR10/12 TOP HINGE BKT
5	2022622	HINGE BOTTOM G319 UL V10
6	2022625	DOOR SUPPORT ASSY G319 UL V10
7	2016576	LED SERIES G319*42
8	2016585	LOCK KIT SINGLE DR

## 5. Wiring Diagram

