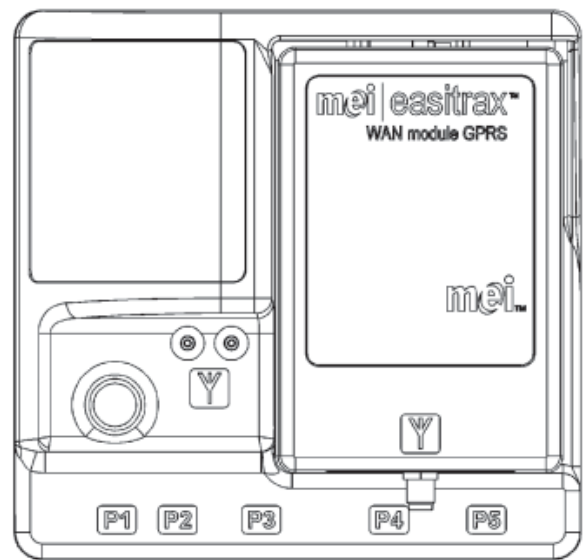
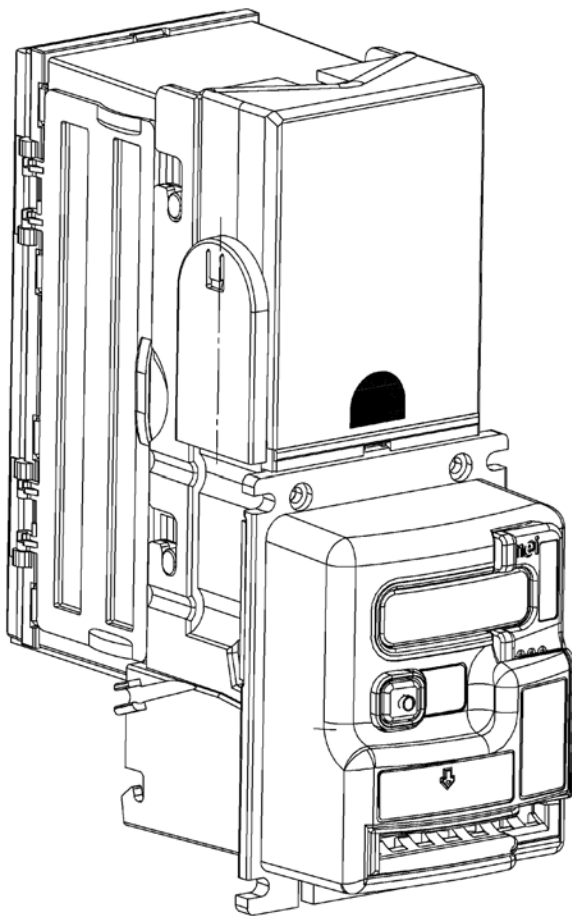




Remote Data Port and Combo Bezel Install Guide



©2006 MEI. All Rights Reserved. Printed in USA and Mexico.

Information is subject to change without notice. MEI has made every effort to ensure that the information in this document is accurate. However, we cannot be held responsible for any errors or omissions.

Technical Support 1-800-345-8172

www.meiglobal.com

Part # 216720001 Page-1

Revision Y4

TABLE OF CONTENTS

INTRODUCTION

General Information.....	3
Restrictions	3

PRODUCT OVERVIEW

Kit Options and Components	4
MEI Easitrax EZ1001 Remote Data Port	5
GPRS Radio Module	6
GPRS and WLAN Antenna Modules	6
P1 Power/DEX/MDB Harness	6
P2 Credit Card/E Lock Harness	7
VN2562 Combo Bill Acceptor	7

PRODUCT INSTALLATION

Getting Started.....	8
Before Installation	8
Tools and Supplies	8
Installation Instructions for GPRS and WLAN Option p/n 216699001	9
Installation Instructions for GPRS Only Option p/n 216686001	13
Installation Instructions for WLAN Only Option p/n 216822001.....	17
Warranty Statement	21
Compliance	22

INTRODUCTION

GENERAL INFORMATION

The VN2562 combo bill acceptor and a EZ1001 remote data port are the mechanical components of MEI's Cash and Credit Solution. These products, together with a wireless connection to a credit card authorization server, give you the ability to accept credit cards in several types of Multi Drop Bus (MDB) vending machines.

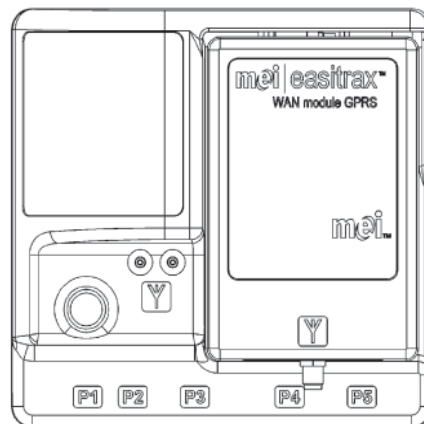
The EZ1001 Remote Data Port (RDP) enables validated credit card transaction sessions with the Vending Machine Controller (VMC). These sessions are initiated when credit cards are swiped through the VN2562 combo bill acceptor and validated by a wireless connection with an authorization network server. The RDP communicates credit availability for a vend session once the user credit card is validated. Additionally, The EZ1001 RDP is capable of connecting to existing vending machine DEX ports. This feature allows for the capture and communication of cash vend information through the wireless network server connection. Users may also extract industry-standard DEX data records through the RDP "pass through" DEX port using a variety of standard DEX audit applications.

The VN2562 platform is a combination of the highly reliable MEI Series 2000 bill acceptor and a credit card reader built right into the bezel. This combination allows for the acceptance of \$1, \$2, and \$5 bills in addition to major credit/debit cards. The combination of these features allows for easy install without the necessity of cutting an additional hole in the vending machine door to add a separate credit card reader.

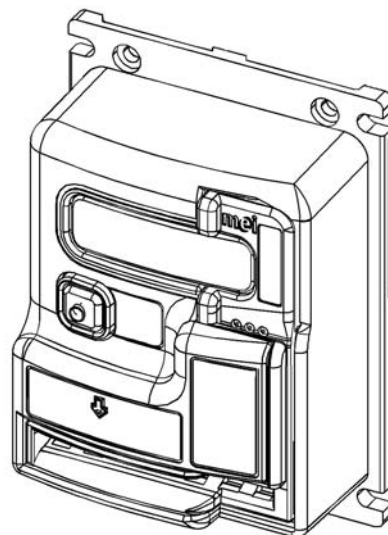
The VN2562 and EZ1001 system was designed to work on a wide variety of MDB vending machines and is simple to use and install. This manual is designed to assist in the installation of this system.

RESTRICTIONS

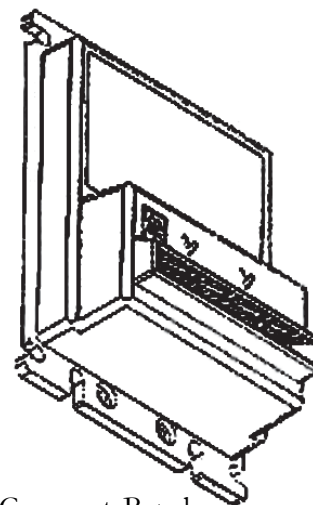
Please consult your MEI sales representative, MEI authorized distributor, or MEI's web site, meiglobal.com, for a list of Combo Acceptor compatible machines. As a general rule, the combo acceptor can be used in place of a VN2512 or comparable bill acceptor. It will be necessary to allow enough clearance on the right hand side of the combo bezel as to allow a user to swipe a credit card.



EZ1001 Remote Data Port



Combo Bezel



Compact Bezel

PRODUCT OVERVIEW

MEI Cash and Credit System

The MEI Cash and Credit system is offered in a variety of configurations. Common to each configuration is the EZ1001 Remote Data Port (p/n 216160001) and the VN2562 Combo Acceptor (p/n 250001311 - sold separately). The configuration options include the following:

GPRS and WLAN Option (p/n 216699001) * Install instructions on page 9

This option is necessary at multi-machine sites where cellular network access may not be available for every machine. This configuration can be installed in a vending machine with cellular access and will act as a network connection for other machines on site that do not have access to a cellular network connection. This option includes the following components:

- EZ1001 Remote Data Port
- GPRS Radio module
- GPRS Antenna - p/n 213701001
- WLAN Antenna - p/n 213709002
- RDP P1 power/dex/MDB harness - p/n 215630001
- RDP P2 Combo Acceptor Interface harness - p/n 215634004
- Mounting anchors for tie wraps
- Harness tie wraps
- POS materials

GPRS Only Option (p/n 216686001) * Install instructions on page 13

This option is necessary for stand alone machines. The GPRS Only configuration may also be used at multi-machine sites where cellular network access is available for every machine and vending machine networking is not possible or desirable. This option includes the following components:

- EZ1001 Remote Data Port
- GPRS Radio module
- GPRS Antenna - p/n 213701001
- RDP P1 power/dex/MDB harness - p/n 215630001
- RDP P2 Combo Acceptor Interface harness - p/n 215634004
- Mounting anchors for tie wraps
- Harness tie wraps
- POS materials

WLAN Only Option (p/n 216822001) * Install instructions on page 17

This option is necessary at multi-machine sites where cellular network access may not be available for every machine. This configuration can be installed in a vending machine without cellular access. Once initialized, the WLAN module will search for GPRS equipped vending machines and will establish a network connection with the machine for which it has the strongest signal connection. Once networked with a GPRS equipped machine, the WLAN component will transmit and receive all network server data through the GPRS equipped machine.

PRODUCT OVERVIEW

WLAN Only Option (continued)

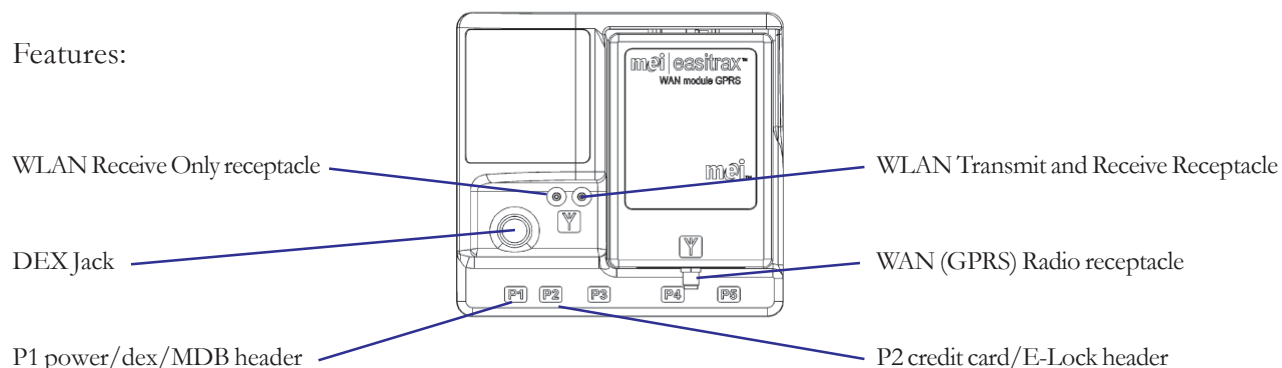
This option includes the following components:

- EZ1001 Remote Data Port
- WLAN Antenna - p/n 213709002
- RDP P1 power/dex/MDB cable - p/n 215630001
- RDP P2 Combo Acceptor Interface harness - p/n 215634004
- Mounting anchors for tie wraps
- Harness tie wraps
- POS materials

MEI EASITRAX EZ 1001 Remote Data Port

The EZ 1001 Remote Data Port (RDP) is the communication interface between the credit card reader on the VN2562, the credit card authorization server, and the MDB Vending Machine Control board (VMC).

Features:



Hook and Loop Mounting material on reverse side (not shown)

SERIAL NUMBER CONFIGURATION

	WWYLCCPPPPP
WW	- Week Manufactured (01 through 52)
Y	- Year Manufactured (4 for 2004)
L	- Manufacturing Location
CC	- Configuration Code
PPPPP	- Sequential Production Number

EZ1001 RDP Voltage:

Nominal Voltage: 24-34VDC

PRODUCT OVERVIEW

GPRS Radio Module

The GPRS (WAN) radio module attaches to the remote data port and provides the communication interface between the credit card authorization network server and the RDP. The GPRS antenna must be connected to the radio.



Note: The antenna must be connected to the GPRS radio prior to power up.

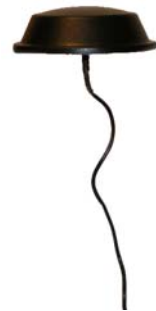
GPRS Radio Module



Antenna connector

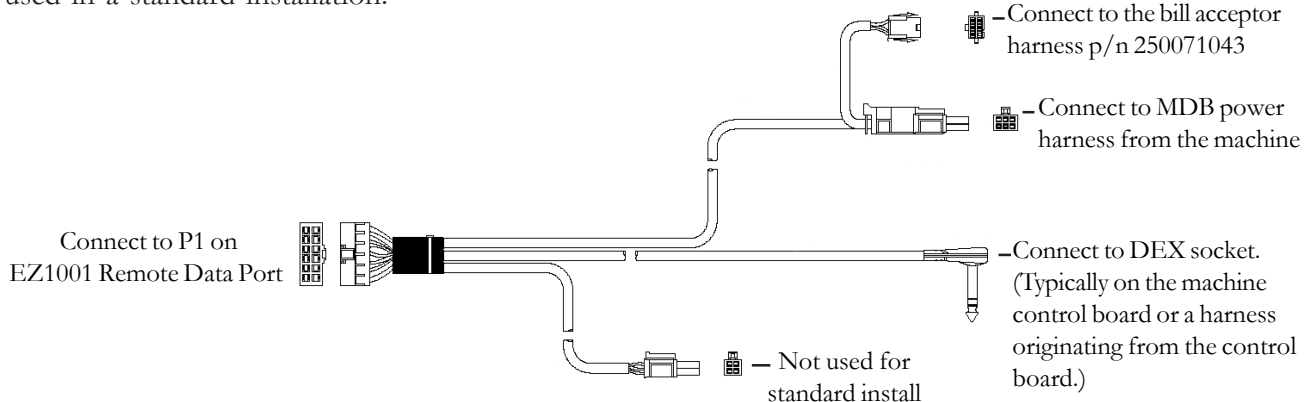
GPRS and WLAN Antenna

The GPRS Antenna - p/n 213701001 and WLAN antenna - p/n 213709002 come with an adhesive bottom for easier mounting. The GPRS antenna is identified by a screw type connector that is attached to the GPRS radio. It is strongly recommended that this antenna be mounted on a horizontal plane outside the vending machine. This may be accomplished by drilling a 3/8" hole through the top of the vending machine and threading the antenna cable inside. The GPRS antenna strength may be influenced by digital signal in the area and placement constraints in or on the vending machine. The Wireless Local Area Network (WLAN) antenna is identified by a push type connector and must be connected to the Transmit and Receive receptacle on the RDP. The WLAN antenna strength may be influenced by line of sight obstacles between vending machines and placement constraints in or on the vending machine.



P1 Power/Dex/MDB Harness

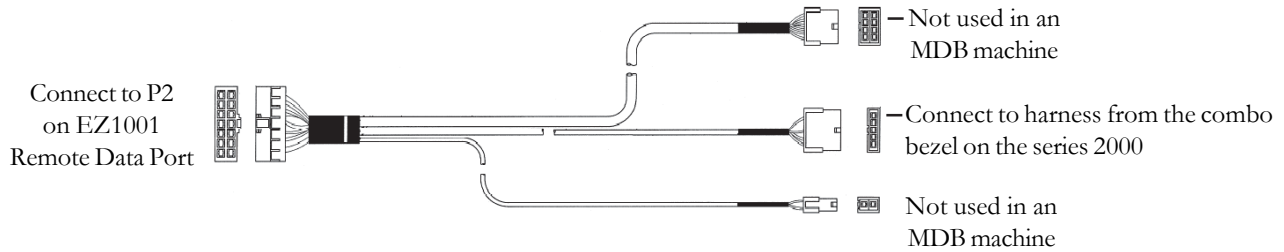
The Power/Dex/MDB harness - p/n 215630001 connects to the P1 header on the bottom left of the RDP. Three connectors on the other end (see diagram below) allow you to connect to the bill acceptor, provide power to the EZ1001 and connect to a DEX socket. A fourth 4-pin connector is not used in a standard installation.



PRODUCT OVERVIEW

P2 Combo Acceptor Interface Harness

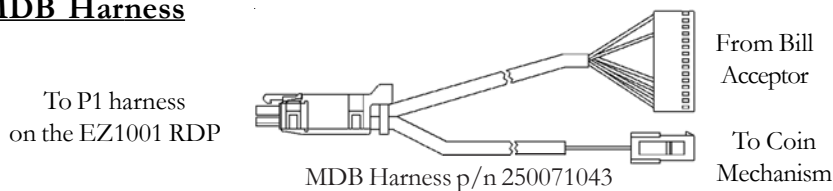
The Combo Acceptor Interface harness - p/n 215634004 connects to the P2 header on the bottom of the RDP. Only the 5-pin connector (middle of the three connectors in the diagram below) needs to be used to connect to the combo bezel. The other two connectors are not used.



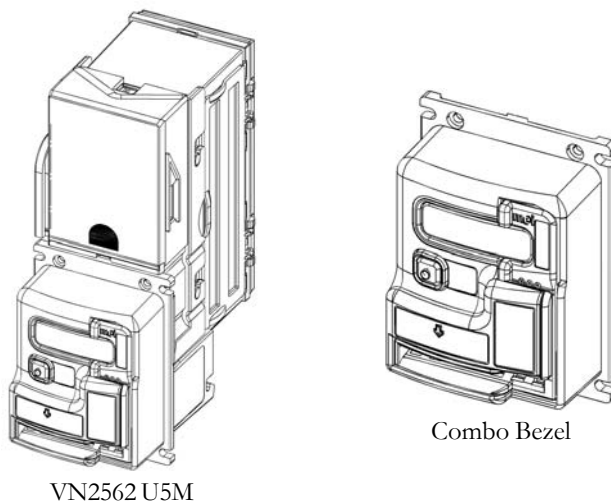
VN2562 U5M bill acceptor

VN2562 U5M bill acceptor - p/n 250001311 comes with the combo bezel and MDB harness p/n 250071043 installed. The VN2562 MDB harness connects the bill acceptor to the P1 harness shown on the previous page. The harness attached to the Combo Bezel is then connected to the 5-pin connector on the P2 Combo Acceptor Interface harness.

MDB Harness



Combo Bezel



PRODUCT INSTALLATION

Getting Started

- Contact your MEI sales representative or Authorized MEI Distributor to discuss system options
- Your MEI representative will conduct a site survey to determine equipment requirements
- Your MEI representative will supply documents that must be completed and submitted to USAT prior to installing the system equipment.
- Locate a position where the EZ1001 remote data port is easily accessible, make sure that the harnesses will reach and that no objects are obstructing the data port DEX Jack.
- Power **MUST** be removed from the vending machine prior to starting the installation.

Before Installation

- Verify that the machine and its components work properly prior to installation.
- Perform a test vend and verify change payback.
- Visually inspect machine cables for defects. Adjust/Replace as needed.
- Locate a position where the EZ1001 remote data port is easily accessible, make sure that the harnesses will reach and that no objects are obstructing the data port DEX Jack.
- Locate a mounting position harness routing options for the GPRS and WLAN antennas as applicable
- Power **MUST** be removed from the vending machine prior to starting the installation.

Needed Tools/Supplies

- 11/32" HEX driver
- Phillips Screwdriver
- Wire Cutters
- Cable Ties – Black UV stable cable ties and self-adhesive cable tie bases.
- Cleaning materials for vending machines.
- 3/8" drill w/metal bit (If you are going to install the antenna outside the machine)

Exterior Placement Highly Recommended for Maximum Signal Reception

Antenna Installation

Antennas shall be installed so that a separation distance of 20cm (8 inches) is maintained from individuals during normal use. Ensure that the antenna cable is not damaged by the opening and closing of the vending machine door.

Harness Dressing Recommendation

All products and cables should be securely fastened to the vending machine. The installer should provide additional UV stable cable ties to securely fasten all cables to the vendor. Any looping of excess cable should be fastened to the vending machine and service loops should be minimized.

MACHINE INSTALLATION

MDB Vending Machine EZ1001 Remote Data Port & Combo Bezel Installation GPRS and WLAN Option (p/n 216699001)

Required Components:

<u>Description</u>	<u>Part Number</u>
GPRS and WLAN System Kit <i>Includes:</i> EZ1001 Remote Data Port (RDP) GPRS Radio module GPRS Antenna WLAN Antenna RDP P1 Power/DEX/MDB harness RDP P2 Combo Acceptor Interface harness Mounting anchors for tie wraps Harness tie wraps POS materials Install Guide	216699001
VN2562 U5M (VN2000 Series bill acceptor) <i>Includes:</i> Combo Bezel MDB harness	250001311

Installation Instructions

- 1) Check vending machine for normal operation and clear all errors.
- 2) Power off the vending machine door.
- 3) Unpack the GPRS and WLAN Kit and identify system components (pages 5-7).
- 4) Open the RDP connector cover and securely connect P1 and P2 harnesses to the RDP (see page 12). Observe orientation of the key. Ridge connector must face up. Close the connector cover.
- 5) Connect the GPRS and WLAN antenna cables.



Note: The GPRS antenna is identified by a screw type connector that is attached the GPRS radio. The Wireless Local Area Network (WLAN) antenna is identified by a push type connector and must be connected to the Transmit and Receive receptacle on the RDP (see page 12).

- 6) Select a location for the RDP in the vending machine door and “dry test” the fit. Check for visible machine obstructions, harness routing options, and harness length requirements.



Note: It is strongly recommended that the GPRS antenna be mounted on a horizontal plane outside the vending machine. This may be accomplished by drilling a 3/8” hole through the top of the vending machine and threading the antenna cable inside. The GPRS antenna strength may be influenced by digital signal in the area and placement constraints in or on the vending machine.

MACHINE INSTALLATION



The WLAN antenna may be secured either inside or outside the vending machine depending on space constrictions. The WLAN antenna strength may be influenced by line of sight obstacles between vending machines and placement constraints in or on the vending machine. The GPRS Antenna and WLAN antenna both come with an adhesive bottom for easier mounting.

- 7) Once satisfied with the potential RDP location, remove the RDP with attached harnesses and set aside. Thoroughly clean the machine surface around the area where the RDP will be installed. The surface should be clear of any dirt, dust, oils, or other foreign substances.
- 8) Disconnect the antennas from the RDP and set aside.
- 9) Remove the plastic adhesive backing from the hook and loop strips on the back of the RDP and firmly secure the RDP to the chosen mounting location. Check the security of the P1 and P2 connections once the RDP has been secured to the machine surface.
- 10) Install zip tie anchors below the RDP P1 and P2 connections. Using the zip ties provided, secure the P1 and P2 harnesses to the anchors.
- 11) Remove existing bill acceptor (if not already a VN2562).
- 12) Install VN2562 U5M bill acceptor (see Series 2000 install guide).
- 13) Connect the P1 and P2 harnesses according to the diagram on page 12. The P1 MDB power and communication route should be as follows:
 - a. From the VMC to the P1 harness
 - b. From the P1 harness to the RDP and to the VN2562 MDB harness
 - c. From the VN2562 MDB harness to the Coin Mech harness

The P2 harness is connected to the Combo Bezel harness (see diagram on page 12).

- 14) Install GPRS Antenna

The GPRS antenna is identified by a screw type connector that is attached the GPRS radio. It is strongly recommended that this antenna be mounted on a horizontal plane outside the vending machine. This may be accomplished by drilling a 3/8" hole through the top of the vending machine and threading the antenna cable inside. The GPRS Antenna come with an adhesive bottom for easier mounting. Thoroughly clean the machine surface around the area where the GPRS antenna will be installed. The surface should be clear of any dirt, dust, oils, or other foreign substances.

- 15) Screw the Antenna cable to the GPRS Radio Module (see diagram on page 12).



Warning: The antenna must be connected to the EZ1001 Remote Data Port prior to power up. Powering up the EZ1001 remote data port without connecting the antenna will damage the unit and it will likely need to be replaced.

- 16) Install WLAN Antenna

The Wireless Local Area Network (WLAN) antenna is identified by a push type connector and must be connected to the Transmit and Receive receptacle on the RDP. The WLAN antenna may be secured either inside or outside the vending machine depending on space constrictions. The WLAN antenna strength may be influenced by line of sight obstacles between vending machines and placement constraints in or on

MACHINE INSTALLATION

the vending machine. The WLAN antenna comes with an adhesive bottom for easier mounting. Thoroughly clean the machine surface around the area where the GPRS antenna will be installed. The surface should be clear of any dirt, dust, oils, or other foreign substances.

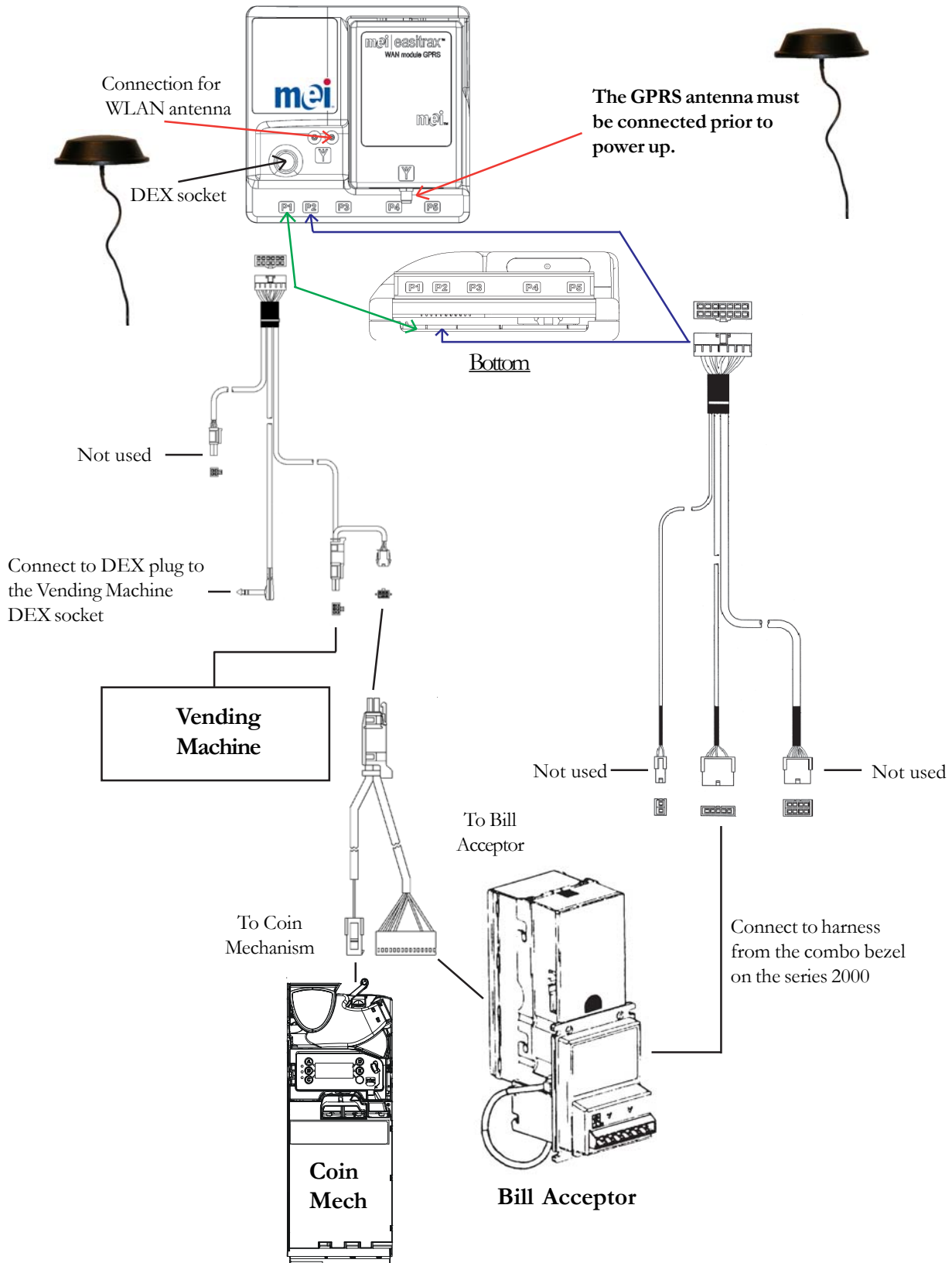
- 17) Push the Antenna connector into the RDP transmit and receive receptacle on the RDP (see diagram on page 12).
- 18) Connect the DEX plug to the vending machine DEX jack. This DEX jack (if installed) can be found on either the vending machine control board or on a harness plugged into the vending machine control board.



Note: If the machine has no DEX jack, ensure that you tie off the harness from the P1 connector so it does not impede machine operations. The EZ1001 remote data port does not need DEX capability to transmit credit card information.

- 19) Dress and secure harnesses as required using wire ties.
- 20) Power on the vending machine. A solid green LED should be visible through the DEX socket (J1) located on the front of the data port (See Diagram on next page).
- 21) Some vending machines require the presence of a card reader to be programmed in the vending machine configurations. Check your vending machine users manual or consult your vending machine manufacturer for details and instructions. If configuration changes are required, make the changes at this point of the install process. Once the configuration changes are completed, power down the vending machine door and power up again after a short wait (10-30 seconds).
- 22) Close the vending machine door and check the Combo Bezel display. The display will say “Waiting for Network Connect”.
- 23) Once the RDP establishes communication network server, the Combo Bezel display will momentarily change to “Insert Cash or Swipe Card.” The display will then change to “Settlement in Progress.” When settlement is completed “Insert Cash or Swipe Card” will return to the display.
- 24) The installation is now complete and ready for testing.

INSTALLATION DIAGRAM



MACHINE INSTALLATION

MDB Vending Machine EZ1001 Remote Data Port & Combo Bezel Installation GPRS Only Option (p/n 216686001)

Required Components:

<u>Description</u>	<u>Part Number</u>
GPRS Only System Kit <i>Includes:</i> EZ1001 Remote Data Port (RDP) GPRS Radio module GPRS Antenna RDP P1 Power/DEX/MDB harness RDP P2 Combo Acceptor Interface harness Mounting anchors for tie wraps Harness tie wraps POS materials Install Guide	216686001
VN2562 U5M (VN2000 Series bill acceptor) <i>Includes:</i> Combo Bezel MDB harness	250001311

Installation Instructions

- 1) Check vending machine for normal operation and clear all errors.
- 2) Power off the vending machine door.
- 3) Unpack the GPRS Only Kit and identify system components (pages 5-7).
- 4) Open the RDP connector cover and securely connect P1 and P2 harnesses to the RDP (see page 16). Observe orientation of the key. Ridge connector must face up. Close the connector cover.

- 5) Connect the GPRS antenna cable.



Note: The GPRS antenna is identified by a screw type connector that is attached the GPRS radio. (see page 16).

- 6) Select a location for the RDP in the vending machine door and “dry test” the fit. Check for visible machine obstructions, harness routing options, and harness length requirements.



Note: It is strongly recommended that the GPRS antenna be mounted on a horizontal plane outside the vending machine. This may be accomplished by drilling a 3/8” hole through the top of the vending machine and threading the antenna cable inside. The GPRS antenna strength may be influenced by digital signal in the area and placement constraints in or on the vending machine. The GPRS Antenna comes with an adhesive bottom for easier mounting.

MACHINE INSTALLATION

- 7) Once satisfied with the potential RDP location, remove the RDP with attached harnesses and set aside. Thoroughly clean the machine surface around the area where the RDP will be installed. The surface should be clear of any dirt, dust, oils, or other foreign substances.
- 8) Disconnect the antenna cable from the RDP and set aside.
- 9) Remove the plastic adhesive backing from the hook and loop strips on the back of the RDP and firmly secure the RDP to the chosen mounting location. Check the security of the P1 and P2 connections once the RDP has been secured to the machine surface.
- 10) Install zip tie anchors below the RDP P1 and P2 connections. Using the zip ties provided, secure the P1 and P2 harnesses to the anchors.
- 11) Remove existing bill acceptor (if not already a VN2562).
- 12) Install VN2562 U5M bill acceptor (see Series 2000 install guide).
- 13) Connect the P1 and P2 harnesses according to the diagram on page 16. The P1 MDB power and communication route should be as follows:
 - a. From the VMC to the P1 harness
 - b. From the P1 harness to the RDP and to the VN2562 MDB harness
 - c. From the VN2562 MDB harness to the Coin Mech harness

The P2 harness is connected to the Combo Bezel harness (see diagram on page 16).

- 14) Install GPRS Antenna

The GPRS antenna is identified by a screw type connector that is attached the GPRS radio. It is strongly recommended that this antenna be mounted on a horizontal plane outside the vending machine. This may be accomplished by drilling a 3/8" hole through the top of the vending machine and threading the antenna cable inside. The GPRS Antenna come with an adhesive bottom for easier mounting. Thoroughly clean the machine surface around the area where the GPRS antenna will be installed. The surface should be clear of any dirt, dust, oils, or other foreign substances.

- 15) Screw the Antenna cable to the GPRS Radio Module (see diagram on page 16).



Warning: The antenna must be connected to the EZ1001 Remote Data Port prior to power up. Powering up the EZ1001 remote data port without connecting the antenna will damage the unit and it will likely need to be replaced.

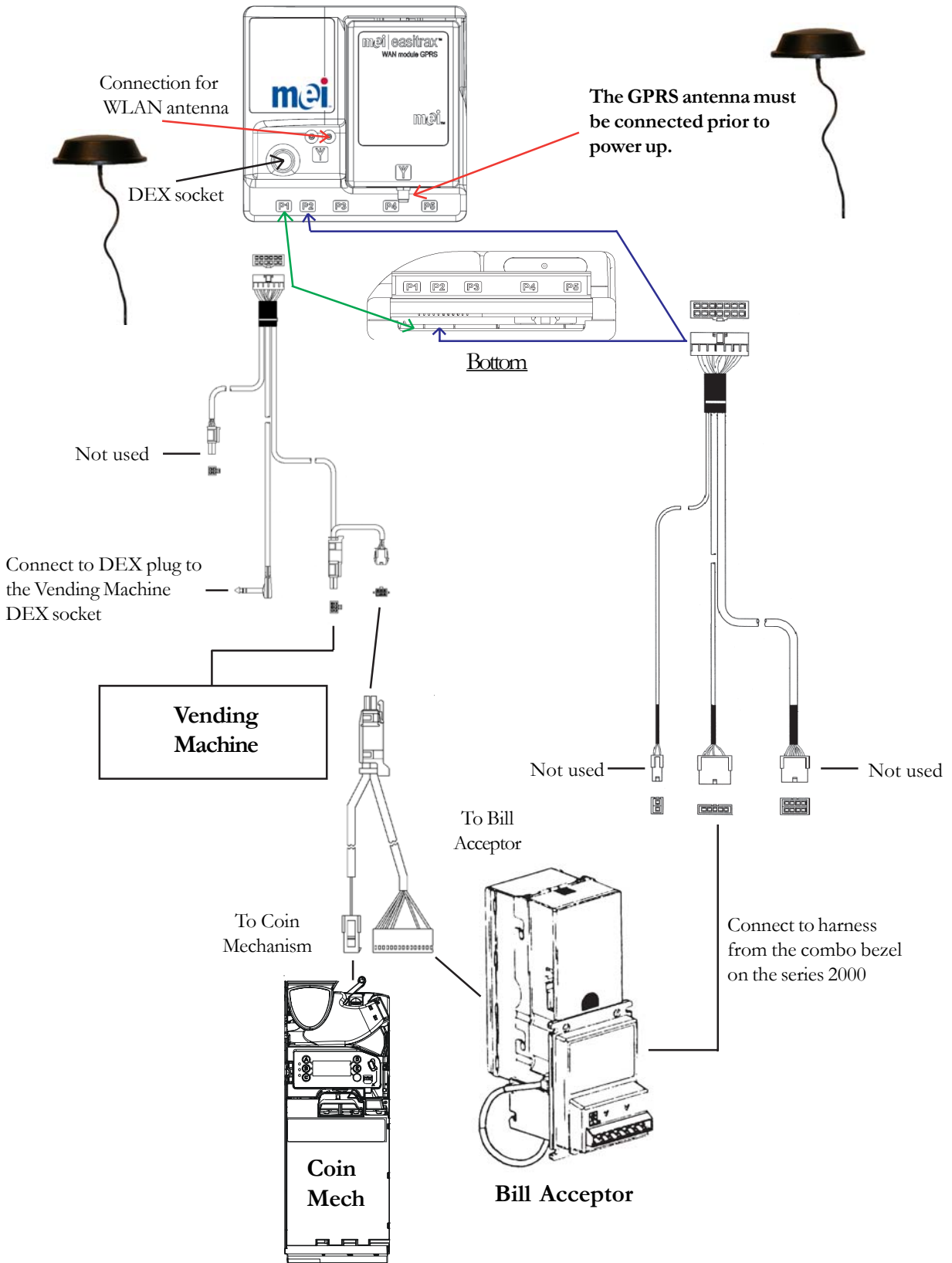
- 16) Connect the DEX plug to the vending machine DEX jack. This DEX jack (if installed) can be found on either the vending machine control board or on a harness plugged into the vending machine control board.

Note: If the machine has no DEX jack, ensure that you tie off the harness from the P1 connector so it does not impede machine operations. The EZ1001 remote data port does not need DEX capability to transmit credit card information.

MACHINE INSTALLATION

- 17) Dress and secure harnesses as required using wire ties.
- 18) Power on the vending machine. A solid green LED should be visible through the DEX socket (J1) located on the front of the data port (See Diagram on next page).
- 19) Some vending machines require the presence of a card reader to be programmed in the vending machine configurations. Check your vending machine users manual or consult your vending machine manufacturer for details and instructions. If configuration changes are required, make the changes at this point of the install process. Once the configuration changes are completed, power down the vending machine door and power up again after a short wait (10-30 seconds).
- 20) Close the vending machine door and check the Combo Bezel display. The display will say “Waiting for Network Connect”.
- 21) Once the RDP establishes communication network server, the Combo Bezel display will momentarily change to “Insert Cash or Swipe Card.” The display will then change to “Settlement in Progress.” When settlement is completed “Insert Cash or Swipe Card” will return to the display.
- 22) The installation is now complete and ready for testing.

INSTALLATION DIAGRAM




MACHINE INSTALLATION

MDB Vending Machine EZ1001 Remote Data Port & Combo Bezel Installation WLAN Only Option (p/n 216822001)

Required Components:

<u>Description</u>	<u>Part Number</u>
WLAN Only System Kit <i>Includes:</i> EZ1001 Remote Data Port (RDP) WLAN Antenna RDP P1 Power/DEX/MDB harness RDP P2 Combo Acceptor Interface harness Mounting anchors for tie wraps Harness tie wraps POS materials Install Guide	216822001
VN2562 U5M (VN2000 Series bill acceptor) <i>Includes:</i> Combo Bezel MDB harness	250001311

Installation Instructions

- 1) Check vending machine for normal operation and clear all errors.
 - 2) Power off the vending machine door.
 - 3) Unpack the GPRS Only Kit and identify system components (pages 5-7).
 - 4) Open the RDP connector cover and securely connect P1 and P2 harnesses to the RDP (see page 20). Observe orientation of the key. Ridge connector must face up. Close the connector cover.
 - 5) Connect the WLAN antenna cable.
-  Note: The Wireless Local Area Network (WLAN) antenna is identified by a push type connector and must be connected to the Transmit and Receive receptacle on the RDP (see page 20).
- 6) Select a location for the RDP in the vending machine door and “dry test” the fit. Check for visible machine obstructions, harness routing options, and harness length requirements.



Note: The WLAN antenna may be secured either inside or outside the vending machine depending on space constrictions. The WLAN antenna strength may be influenced by line of sight obstacles between vending machines and placement constraints in or on the vending machine. The GPRS Antenna and WLAN antenna both come with an adhesive bottom for easier mounting.

MACHINE INSTALLATION

- 7) Once satisfied with the potential RDP location, remove the RDP with attached harnesses and set aside. Thoroughly clean the machine surface around the area where the RDP will be installed. The surface should be clear of any dirt, dust, oils, or other foreign substances.
- 8) Disconnect the antenna cable from the RDP and set aside.
- 9) Remove the plastic adhesive backing from the hook and loop strips on the back of the RDP and firmly secure the RDP to the chosen mounting location. Check the security of the P1 and P2 connections once the RDP has been secured to the machine surface.
- 10) Install zip tie anchors below the RDP P1 and P2 connections. Using the zip ties provided, secure the P1 and P2 harnesses to the anchors.
- 11) Remove existing bill acceptor (if not already a VN2562).
- 12) Install VN2562 U5M bill acceptor (see Series 2000 install guide).
- 13) Connect the P1 and P2 harnesses according to the diagram on page 20. The P1 MDB power and communication route should be as follows:
 - a. From the VMC to the P1 harness
 - b. From the P1 harness to the RDP and to the VN2562 MDB harness
 - c. From the VN2562 MDB harness to the Coin Mech harness

The P2 harness is connected to the Combo Bezel harness (see diagram on page 20).

- 14) Install WLAN Antenna
The Wireless Local Area Network (WLAN) antenna is identified by a push type connector and must be connected to the Transmit and Receive receptacle on the RDP. The WLAN antenna may be secured either inside or outside the vending machine depending on space constrictions. The WLAN antenna strength may be influenced by line of sight obstacles between vending machines and placement constraints in or on the vending machine. The WLAN antenna comes with an adhesive bottom for easier mounting. Thoroughly clean the machine surface around the area where the WLAN antenna will be installed. The surface should be clear of any dirt, dust, oils, or other foreign substances.
- 15) Push the Antenna connector into the RDP transmit and receive receptacle on the RDP (see diagram on page 20).
- 16) Connect the DEX plug to the vending machine DEX jack. This DEX jack (if installed) can be found on either the vending machine control board or on a harness plugged into the vending machine control board.

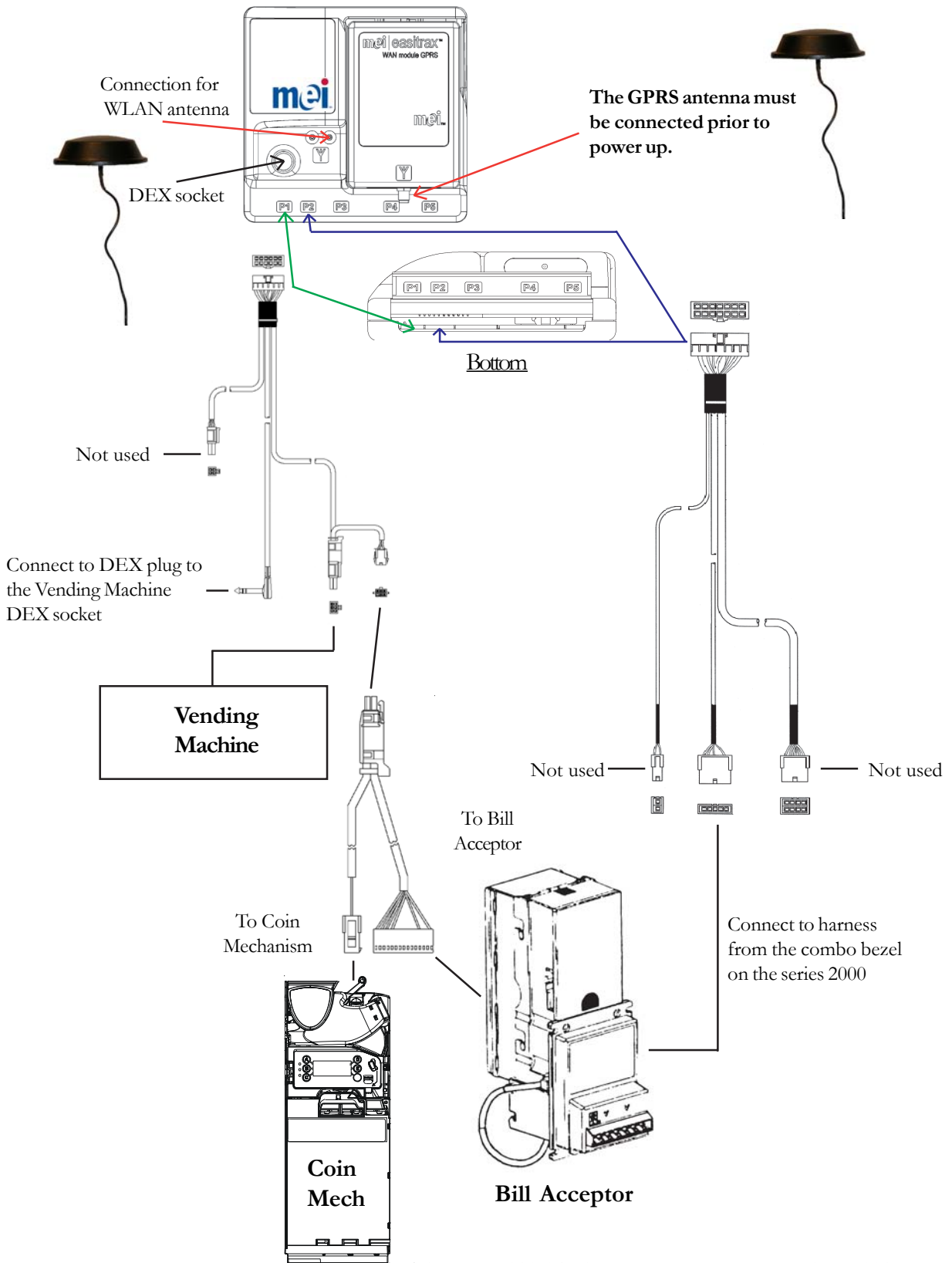


Note: If the machine has no DEX jack, ensure that you tie off the harness from the P1 connector so it does not impede machine operations. The EZ1001 remote data port does not need DEX capability to transmit credit card information.

MACHINE INSTALLATION

- 17) Dress and secure harnesses as required using wire ties.
- 18) Power on the vending machine. A solid green LED should be visible through the DEX socket (J1) located on the front of the data port (See Diagram on next page).
- 19) Some vending machines require the presence of a card reader to be programmed in the vending machine configurations. Check your vending machine users manual or consult your vending machine manufacturer for details and instructions. If configuration changes are required, make the changes at this point of the install process. Once the configuration changes are completed, power down the vending machine door and power up again after a short wait (10-30 seconds).
- 20) Close the vending machine door and check the Combo Bezel display. The display will say “ Waiting for Network Connect”.
- 21) Once the RDP establishes communication network server, the Combo Bezel display will momentarily change to “ Insert Cash or Swipe Card.” The display will then change to “Settlement in Progress.” When settlement is completed “ Insert Cash or Swipe Card” will return to the display.
- 22) The installation is now complete and ready for testing.

INSTALLATION DIAGRAM



Mars Electronic International
Standard Limited Warranty

Mars Electronic International (MEI) warrants to you, the purchaser of the products accompanying this limited warranty, only that at the time of delivery and for a period of twelve (12) calendar months after delivery, the products shall be free of defects in workmanship and materials, provided, that, this limited warranty shall not apply:

- (a) to damage caused by your or any third party's act, default or misuse of the products or by failure to follow any instructions supplied with the products (including but not limited to, misuse of the products through vandalism, fraudulent acts, or any other kind of malicious interference);
- (b) where the products have been used in connection with or incorporated into equipment or materials the specification for which have not been approved in writing by MEI;
- (c) to products which are altered, modified or repaired in any place other than an MEI facility or by persons not expressly authorized or approved in writing by MEI; or
- (d) to modifications required because of coin or currency changes mandated by any governmental agency.

THE LIMITED WARRANTY SET FORTH HEREIN IS THE SOLE AND EXCLUSIVE WARRANTY GIVEN BY MEI WITH RESPECT TO PRODUCTS SOLD OR PROVIDED BY MEI. MEI GIVES AND MAKES NO REPRESENTATION OR WARRANTY OF ANY KIND, EXPRESS OR IMPLIED, OTHER THAN THAT EXPRESSLY SET FORTH HEREIN. NO REPRESENTATIVE OF MEI IS AUTHORIZED TO GIVE OR MAKE ANY OTHER REPRESENTATION OR WARRANTY OR MODIFY THIS WARRANTY IN ANY WAY EXCEPT IN A WRITTEN AMENDMENT OF THIS WARRANTY SIGNED BY A DULY AUTHORIZED REPRESENTATIVE OF MEI WHICH MAKES SPECIFIC REFERENCE TO THIS LIMITED WARRANTY. WITHOUT LIMITING THE GENERALITY OF THE FOREGOING, MEI EXPRESSLY DISCLAIMS ALL IMPLIED WARRANTIES OF MERCHANTABILITY, FITNESS FOR ANY PARTICULAR PURPOSE, TITLE AND NON-INFRINGEMENT, AS WELL AS ALL WARRANTIES ARISING BY USAGE OF TRADE, COURSE OF DEALING OR COURSE OF PERFORMANCE. THE LIMITED WARRANTY SET FORTH HEREIN RUNS TO YOU, THE RECIPIENT OF PRODUCTS.

If the products do not conform to the warranty set forth herein, MEI's sole liability and obligation shall be to replace the specific nonconforming products or refund the purchase price actually paid for such nonconforming products, as MEI may elect. MEI reserves the right to inspect returned Goods to reasonably determine whether such returned Goods are nonconforming. If after MEI's inspection MEI determines such Goods to be conforming in all material respects, MEI will return such Goods to Buyer at Buyer's cost, and MEI may impose a service fee for MEI's inspection services. Authorization to return products must be obtained from MEI prior to any such return by calling MEI's toll free Customer Service Department at 800-345-8215. For repairs, please contact MEI's Customer Service Department at 800-345-8215 or by visiting MEI's web site at <http://www.meiglobal.com> for an MEI Authorized Service Center. In MEI's sole discretion, credit may be granted with respect to returned products, less an appropriate restocking charge, depending on the reason for the return and the condition of the products. Any returned products must be shipped to MEI, freight prepaid, at your risk and otherwise in accordance with MEI's instructions, and must be accompanied by an explanation of the nature of the nonconformity that is satisfactory to MEI. MEI's liability under this warranty or otherwise with respect to the products or their use (including liability for negligence or otherwise) is limited solely and exclusively to the remedies provided above and no other right or remedy will be available to you or to any other person.

You hereby acknowledge that no guarantees or assurances have been made as to the results that may be obtained from the use of the products provided hereunder whether used singly or in combination with other items. You hereby acknowledge that you do not rely on, and you hereby waive, any claim relating to, any recommendation or instruction given to you by MEI or any of its representatives regarding the specifications, storage, handling or use of products provided to you, which recommendation or instruction shall be followed or acted upon by you entirely at your own risk. MEI'S LIABILITY, AND YOUR EXCLUSIVE REMEDY IN CONNECTION WITH THE SALE OR USE OF PRODUCTS PROVIDED HEREUNDER (WHETHER BASED ON CONTRACT, NEGLIGENCE, BREACH OF WARRANTY OR OTHERWISE), SHALL BE STRICTLY LIMITED TO MEI'S OBLIGATIONS AS SPECIFICALLY AND EXPRESSLY PROVIDED IN THE LIMITED WARRANTY AND LIMITATIONS ON REMEDIES SET FORTH HEREIN. IN NO EVENT SHALL MEI HAVE ANY LIABILITY TO YOU, ARISING OUT OF OR IN CONNECTION WITH THE SALE OR USE OF THE PRODUCTS SOLD HEREUNDER, THE TRANSACTIONS CONTEMPLATED HEREBY, OR MEI'S OR YOUR CONDUCT OR ACTIONS IN RELATION TO ANY OF THE SAME OR TO EACH OTHER, IN AN AMOUNT IN EXCESS OF, AND MEI'S LIABILITY SHALL BE STRICTLY LIMITED TO, THE LESSER OF THE AMOUNT(S) ACTUALLY RECEIVED BY MEI FROM YOU (IF APPLICABLE) FOR THE PRODUCTS WHICH GIVE RISE TO MEI'S LIABILITY OR \$100 DOLLARS (US). MEI SHALL HAVE NO OTHER LIABILITY, OBLIGATION OR RESPONSIBILITY OF ANY KIND, IN ANY WAY OR TO ANY EXTENT FOR ANY LOSSES, EXPENSES, COSTS, DAMAGES OR LIABILITIES FOR ANY REPRESENTATION OR WARRANTY OF ANY KIND WITH RESPECT TO THE PRODUCTS (OR THE PERFORMANCE THEREOF), OR ARISING IN ANY WAY OR IN CONNECTION WITH THE PURCHASE BY OR USE OR SALE OF THE PRODUCTS BY YOU, EVEN IF MEI HAS BEEN ADVISED OF THE POSSIBILITY OF SUCH DAMAGES. IN NO EVENT SHALL MEI HAVE ANY LIABILITY, OBLIGATION OR RESPONSIBILITY FOR ANY INDIRECT, INCIDENTAL, CONSEQUENTIAL, SPECIAL, OR EXEMPLARY DAMAGES ARISING IN ANY WAY IN CONNECTION WITH THE PRODUCTS OR THEIR SALE OR USE, INCLUDING BUT NOT LIMITED TO DAMAGE TO PROPERTY, INJURY TO PERSONS, LOSS OF USE OF THE PRODUCTS OR ANY ITEM WITH WHICH SUCH PRODUCTS ARE USED, LOST PROFITS, OR DELAYS OR INCONVENIENCE. Notwithstanding any custom of trade or course of dealing between MEI and you, your failure to give notice of any claim for breach of warranty within five (5) days after expiration of the applicable warranty period (which five-day period the parties agree is a reasonable time) shall constitute an unqualified waiver by you of all claims with respect thereto, including the right to receive a refund of the purchase price or replacement of the products.

COMPLIANCE

WLAN Module
USA, (902-928Mhz) -

FCC ID: QP8MEI915WLAN

“This device complies with Part 15 of the FCC Rules. Operation is subject to the following two conditions: (1) this device may not cause harmful interference, and (2) this device must accept any interference received, including interference that may cause undesired operation.”

“Warning: Changes or modifications to this unit not expressly approved by the party responsible for compliance could void the user’s authority to operate the equipment.”

Canada, (902-928Mhz) -

Canada: MEI915WLAN

“This Class B digital apparatus complies with Canadian ICES-003.”

“Cet appareil numerique de la classe B est conforme a la norme NMB-003 du Canada.”

“Operation is subject to the following two conditions: (1) this device may not cause interference, and (2) this device must accept any interference, including interference that may cause undesired operation of the device.”

“This device has been designed to operate with an antenna having a maximum gain of 0 dB. Antennas having a higher gain is strictly prohibited per regulations of Industry Canada. The required antenna impedance is 50 ohms.”

In order to comply with CFR47 part 1.1310, antennas shall be installed so that a separation distance of 20cm (8 inches) is maintained from individuals during normal use.

WANModule GPRS:
FCCID: O9Q2426-SK